

DIMMABLE LED TRIAC DRIVER (5 IN 1 DIMMING) - WATTAGE SELECTABLE

20W Constant Current Driver with DIP Switch



- **WATTAGE:** 20W
- **INPUT VOLTAGE:** 100-277VAC
- **PF:** >0.95
- **IP:** IP20 with DIP Switch
- **RATED:** UL
- **DIMENSION:** 6.28" x 1.69" x .78"

SPECIFICATIONS

Output	MAX. OUTPUT POWER	10.5W	14.7W	16.6W	18.9W	20W
	OUTPUT VOLTAGE (DC)	3-42V	3-42V	3-42V	3-42V	3-40V
	MAX. OUTPUT CURRENT (DC)	250mA	350mA	400mA	450mA	500mA
	DIP SWITCH (OFF ↓ / ON ↑)	↓↓↓	↑↓↓	↓↑↓	↓↓↑	↑↑↓

Input	INPUT VOLTAGE	100-277VAC	Protection	SHORT CIRCUIT	Constant connect mode, recovers automatically after faulty condition is removed	Environment	WORKING TEMP.	-40 - 140F		
	RATED FREQUENCY	47-63HZ					OUTPUT NO-LOAD VOLTAGE	52V max.	WORKING HUMIDITY	20-90%RH, non-condensing
	POWER FACTOR	120VAC: 0.95; 277VAC: 0.88							PROTECTION CLASS	II
	EFFICIENCY	120VAC: 78%; 277VAC: 78%								
	AC CURRENT MAX.	0.3A								
	INRUSH CURRENT	2.56A/18us@50%Ipeak@120V 3.04A/10us@50%Ipeak@277V								
	LEAKAGE CURRENT	<0.50mA								

PART NUMBERS

MRK1420-30K-PLUS-TRIAC	MRK2220-30K-PLUS-TRIAC	MRK2320-30K-PLUS-TRIAC	MRK2420-30K-PLUS-TRIAC
MRK1420-35K-PLUS-TRIAC	MRK2220-35K-PLUS-TRIAC	MRK2320-35K-PLUS-TRIAC	MRK2420-35K-PLUS-TRIAC
MRK1420-40K-PLUS-TRIAC	MRK2220-40K-PLUS-TRIAC	MRK2320-40K-PLUS-TRIAC	MRK2420-40K-PLUS-TRIAC
MRK1420-50K-PLUS-TRIAC	MRK2220-50K-PLUS-TRIAC	MRK2320-50K-PLUS-TRIAC	MRK2420-50K-PLUS-TRIAC

40W Constant Current Driver with DIP Switch



- **WATTAGE:** 40W
- **INPUT VOLTAGE:** 100-277VAC
- **PF:** >0.95
- **IP:** IP20 with DIP Switch
- **RATED:** UL
- **DIMENSION:** 6.75" x 2.12" x .78"

SPECIFICATIONS

Output	MAX. OUTPUT POWER	19.5W	22.75W	26W	29.25W	32.5W	35.75W	39W	40.3W	39.9W	40W	40.5W	40W	
	OUTPUT VOLTAGE (DC)	3-65V	3-65V	3-65V	3-65V	3-65V	3-65V	3-65V	3-65V	3-62V	3-57V	3-50V	3-45V	3-40V
	MAX. OUTPUT CURRENT (DC)	300mA	350mA	400mA	450mA	500mA	550mA	600mA	650mA	650mA	700mA	800mA	900mA	1000mA
	DIP SWITCH (OFF ↓ / ON ↑)	↓↓↓↓	↑↓↓↓	↓↑↓↓	↑↑↓↓	↓↑↓↓	↑↑↑↓	↓↑↑↓	↑↑↑↓	↑↑↑↓	↓↓↓↑	↑↓↓↑	↓↑↓↑	↑↑↓↑

Input	INPUT VOLTAGE	100-277VAC		Protection	SHORT CIRCUIT	Constant connect mode, recovers automatically after faulty condition is removed	Environment	WORKING TEMP.	-40 - 140F
	RATED FREQUENCY	47-63HZ						WORKING HUMIDITY	20-90%RH, non-condensing
	POWER FACTOR	120VAC: 0.95; 277VAC: 0.9			PROTECTION CLASS	II			
	EFFICIENCY	120VAC: 80%			VIBRATION	10-500HZ			
	AC CURRENT MAX.	0.52A							
	INRUSH CURRENT	3.12A/36us@50%Ipeak@120V 9.2A/34us@50%Ipeak@277V							
	LEAKAGE CURRENT	<0.50mA							

PART NUMBERS

MRK2440-30K-PLUS-TRIAC	MRK3240-30K-PLUS-TRIAC	MRK3340-30K-PLUS-TRIAC	MRK3440-30K-PLUS-TRIAC
MRK2440-35K-PLUS-TRIAC	MRK3240-35K-PLUS-TRIAC	MRK3340-35K-PLUS-TRIAC	MRK3440-35K-PLUS-TRIAC
MRK2440-40K-PLUS-TRIAC	MRK3240-40K-PLUS-TRIAC	MRK3340-40K-PLUS-TRIAC	MRK3440-40K-PLUS-TRIAC
MRK2440-50K-PLUS-TRIAC	MRK3240-50K-PLUS-TRIAC	MRK3340-50K-PLUS-TRIAC	MRK3440-50K-PLUS-TRIAC
MRK2340-40K-PLUS-TRIAC	MRK3540-35K-PLUS-TRIAC	MRK4240-30K-PLUS-TRIAC	
		MRK4240-35K-PLUS-TRIAC	
		MRK4240-40K-PLUS-TRIAC	
		MRK4240-50K-PLUS-TRIAC	

60W Constant Current Driver with DIP Switch



- **WATTAGE:** 60W
- **INPUT VOLTAGE:** 100-277VAC
- **PF:** >0.95
- **IP:** IP20 with DIP Switch
- **RATED:** UL
- **DIMENSION:** 7.58" x 2.44" x .94"

SPECIFICATIONS

Output	MAX. OUTPUT POWER	39W	45.5W	52W	58.5W	60W	59.4W	60W	59.8W	60.2W	60W	60.8W	59.5W	
	OUTPUT VOLTAGE (DC)	3-65V	3-65V	3-65V	3-65V	3-65V	3-65V	3-65V	3-65V	3-62V	3-57V	3-50V	3-45V	3-40V
	MAX. OUTPUT CURRENT (DC)	600mA	700mA	800mA	900mA	1000mA	1100mA	1200mA	1300mA	1400mA	1500mA	1600mA	1700mA	
	DIP SWITCH (OFF ↓ / ON ↑)	↓↓↓↓	↑↓↓↓	↓↑↓↓	↑↑↓↓	↓↓↑↓	↑↓↑↓	↓↑↑↓	↑↑↑↓	↓↓↓↑	↑↓↓↑	↓↑↓↑	↑↑↓↑	

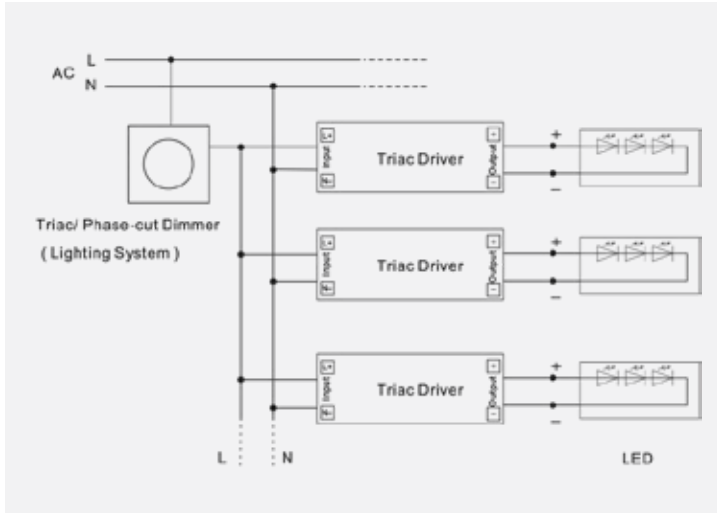
Input	INPUT VOLTAGE	100-277VAC	Protection	SHORT CIRCUIT	Constant connect mode, recovers automatically after faulty condition is removed	Environment	WORKING TEMP.	-40 - 140F
	RATED FREQUENCY	47-63HZ					PROTECTION CLASS	II
	POWER FACTOR	120VAC: 0.99; 277VAC: 0.96		WORKING HUMIDITY	20-90%RH, non-condensing			
	EFFICIENCY	120VAC: 83%		VIBRATION	10-500HZ			
	AC CURRENT MAX.	0.78A						
	INRUSH CURRENT	10A/90us@50%Ipeak@120V 24A/80 us@50%Ipeak@277V						
	LEAKAGE CURRENT	<0.50mA						

PART NUMBERS

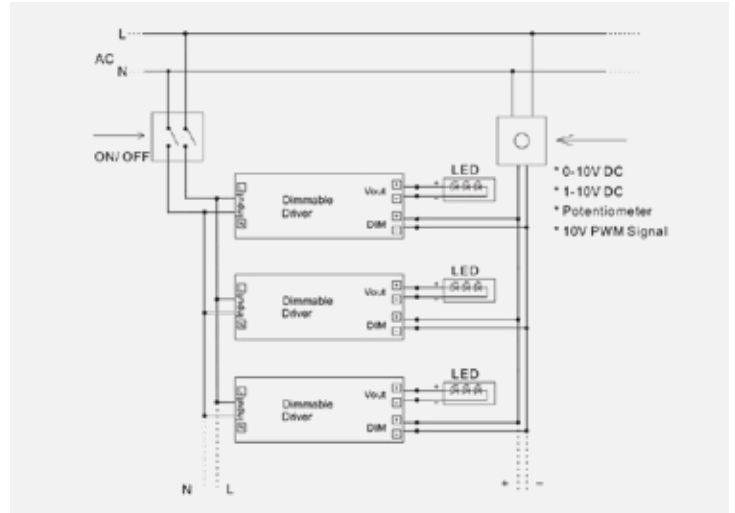
MRK3460-35K-PLUS-TRIAC	MRK4260-30K-PLUS-TRIAC	MRK4440-30K-PLUS-TRIAC	MRK4460-30K-PLUS-TRIAC
MRK3460-40K-PLUS-TRIAC	MRK4260-35K-PLUS-TRIAC	MRK4440-35K-PLUS-TRIAC	MRK4460-35K-PLUS-TRIAC
MRK3460-50K-PLUS-TRIAC	MRK4260-40K-PLUS-TRIAC	MRK4440-40K-PLUS-TRIAC	MRK4460-40K-PLUS-TRIAC
	MRK4260-50K-PLUS-TRIAC	MRK4440-50K-PLUS-TRIAC	MRK4460-50K-PLUS-TRIAC

DIMMING OPERATION AND CONNECTING DIAGRAM

Using one dimming - TRIAC/Phase cut dimming



Using one dimming - 0-10V/1-10V dimming



DERATING CURVE

