

EMERGENCY BACK-UP LED DRIVER FOR MAGNILUMEN PLUS KIT

Job / Project Name	
Product Model Number	
Quantity	
Date	



Installed with existing Magnilumen Plus Kit driver

APPLICATIONS

LED Emergency Back-Up Driver with a 15W output and 100-277VAC input.

PRODUCT FEATURES

- **Wattages:** 15W (stock)
- **Voltage Input:** 100-277VAC
- **Battery:** External Li-ion battery-14.8V/2000mAH
- **Battery Charging Time:** 24 hours
- **Operating Temperature:** 32 to 104F
- **Indicator:** Test switch and charging indicator light
- **Emergency Time:** 1.5 hours
- **Warranty:** 5 years



Test Switch



Lumens

15W x 150L with diffuser = 2,250 lumens

15W x 180L without diffuser = 2,700 lumens

SPECIFICATIONS

PRODUCT #	WATTAGES	DIMENSIONS (WxHxD)
BL-EMRG-LED-15-1H	15W	7.4" x 1.5" x 1.1"

OPERATION

AC Operation: When AC power is present, the LED load from the LED driver is the normal power supply, and the AC LED driver output current can not exceed 150W. The Emergency driver charges in a standby mode and the green LED light will remain on to indicate that it is charging.

Emergency Operation: When the AC power goes out, the emergency driver detects the AC power outage and automatically switches to the working emergency mode. The green LED light will be off. When the AC power is restored, the emergency driver returns to start re-charging and the green LED light comes on.

If Magnilumen Plus kit is already installed, the emergency kit can be added to it for emergency lighting.

Always follow local and national fire egress codes and FC requirements.

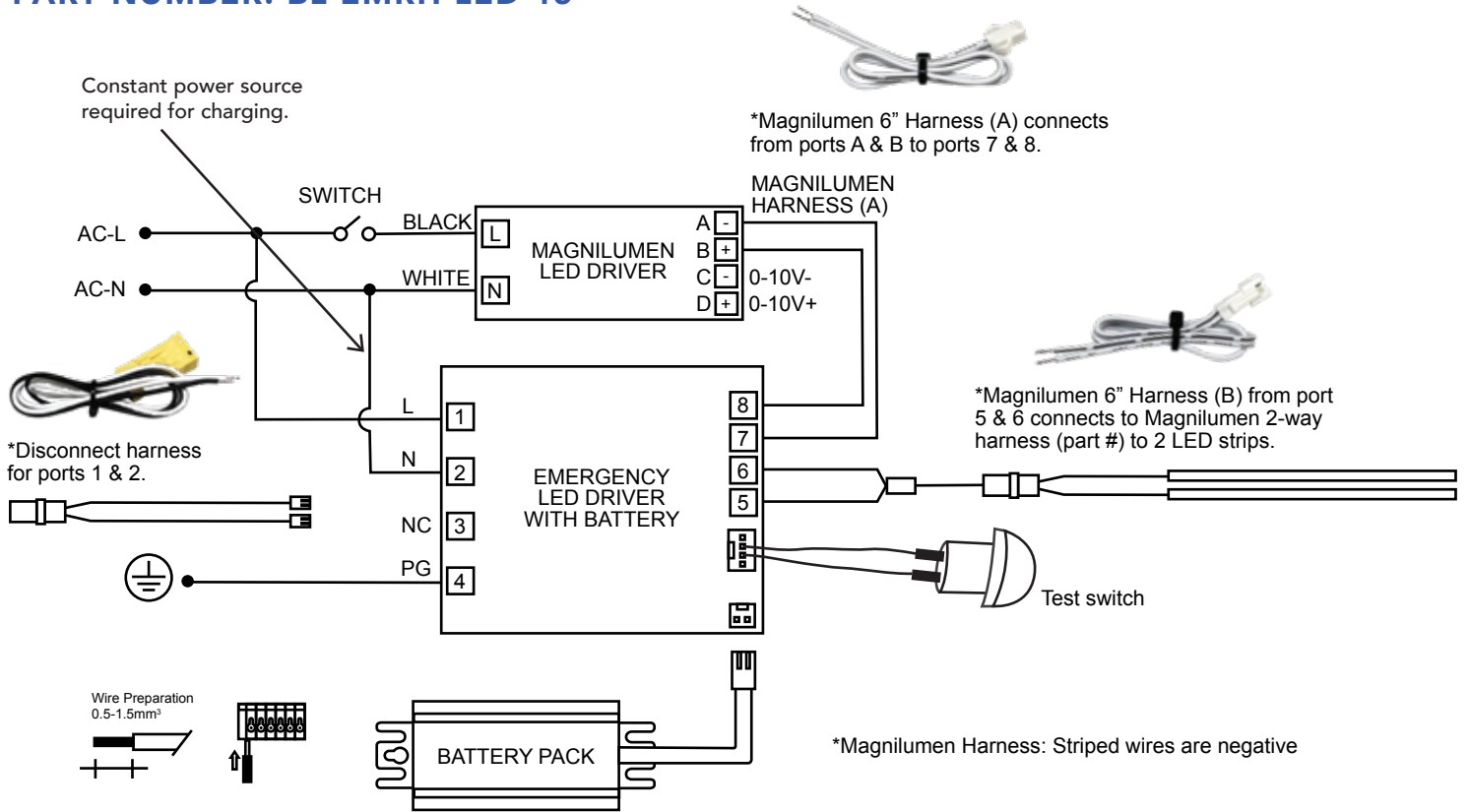
Specifications and actual product may vary.

Office (800) 679-9243 • sales@zled-lighting.com • www.zled-lighting.com

09/22/2021

EMERGENCY BACK-UP LED DRIVER FOR MAGNILUMEN PLUS KIT

PART NUMBER: BL-EMRH-LED-15



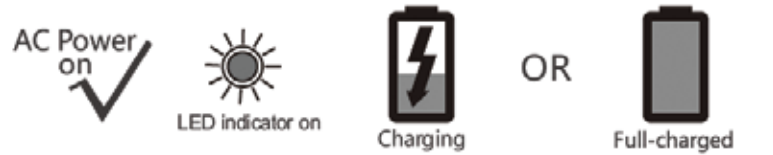
Test Switch



TEST SWITCH AND LED INDICATOR LIGHT

LED indicator

LED indicator on, AC Power is Normal



LED indicator

LED indicator off, AC power goes out



Test switch introduction

Press the test switch
LED turns off
Emergency function is normal



PRODUCT DESCRIPTION

- For connection to the emergency lighting unit.
- The test switch for checking the device function.
- The LED indicates that charging current is flowing into the battery.
- Plus connection.
- Cable Length: 19.69"

*All in one switch and indicator light.

Indicator Light

- One-color status display LED.
- Mounting hole 0.26" (D)
- Wire Insulation Rating: 85°C

All in one test switch and LED indicator.

- One-color status display LED.
- Mounting hole 0.63" (D)
- Wire Insulation Rating: 85°C

