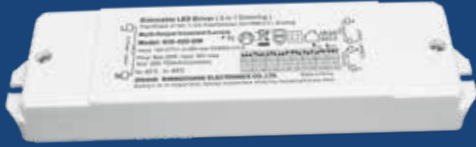


# DIMMABLE LED TRIAC DRIVER (5 IN 1 DIMMING) WATTAGE SELECTABLE - FOR MAGNILUMEN PLUS

## 20W Constant Current Driver with DIP Switch



- **WATTAGE:** 20W
- **INPUT VOLTAGE:** 100-277VAC
- **PF:** >0.95
- **IP:** IP20 with DIP Switch
- **RATED:** UL
- **DIMENSION:** 6.28" x 1.69" x .78"
- **PART NUMBER:** ZL-DRIVER-20W-TRIAC

### SPECIFICATIONS

Output	MAX. OUTPUT POWER	10.5W	14.7W	16.6W	18.9W	20W
	OUTPUT VOLTAGE (DC)	3-42V	3-42V	3-42V	3-42V	3-40V
	MAX. OUTPUT CURRENT (DC)	250mA	350mA	400mA	450mA	500mA
	DIP SWITCH (OFF ↓ / ON ↑)	↓↓↓	↑↓↓	↓↑↓	↓↓↑	↑↑↓

Input	INPUT VOLTAGE	100-277VAC	Protection	SHORT CIRCUIT	Constant connect mode, recovers automatically after faulty condition is removed	Environment	WORKING TEMP.	-40 - 140F
	RATED FREQUENCY	47-63HZ					WORKING HUMIDITY	20-90%RH, non-condensing
	POWER FACTOR	120VAC: 0.95; 277VAC: 0.88					OUTPUT NO-LOAD VOLTAGE	52V max.
	EFFICIENCY	120VAC: 78%; 277VAC: 78%		PROTECTION CLASS	II		VIBRATION	10-500HZ
	AC CURRENT MAX.	0.3A						
	INRUSH CURRENT	2.56A/18us@50%Ipeak@120V 3.04A/10us@50%Ipeak@277V						
	LEAKAGE CURRENT	<0.50mA						

## 40W Constant Current Driver with DIP Switch



- **WATTAGE:** 40W
- **INPUT VOLTAGE:** 100-277VAC
- **PF:** >0.95
- **IP:** IP20 with DIP Switch
- **RATED:** UL
- **DIMENSION:** 6.75" x 2.12" x .78"
- **PART NUMBER:** ZL-DRIVER-40W-TRIAC

### SPECIFICATIONS

Output	MAX. OUTPUT POWER	19.5W	22.75W	26W	29.25W	32.5W	35.75W	39W	40.3W	39.9W	40W	40.5W	40W
	OUTPUT VOLTAGE (DC)	3-65V	3-65V	3-65V	3-65V	3-65V	3-65V	3-65V	3-62V	3-57V	3-50V	3-45V	3-40V
	MAX. OUTPUT CURRENT (DC)	300mA	350mA	400mA	450mA	500mA	550mA	600mA	650mA	700mA	800mA	900mA	1000mA
	DIP SWITCH (OFF ↓ / ON ↑)	↓↓↓↓	↑↓↓↓	↓↑↓↓	↑↑↓↓	↓↓↑↓	↑↑↑↓	↓↑↑↓	↑↑↑↓	↓↓↓↑	↑↓↑↑	↓↑↓↑	↑↑↓↑

Input	INPUT VOLTAGE	100-277VAC	Protection	SHORT CIRCUIT	Constant connect mode, recovers automatically after faulty condition is removed	Environment	WORKING TEMP.	-40 - 140F
	RATED FREQUENCY	47-63HZ					WORKING HUMIDITY	20-90%RH, non-condensing
	POWER FACTOR	120VAC: 0.95; 277VAC: 0.9		PROTECTION CLASS	II		VIBRATION	10-500HZ
	EFFICIENCY	120VAC: 80%						
	AC CURRENT MAX.	0.52A						
	INRUSH CURRENT	3.12A/36us@50%Ipeak@120V 9.2A/34us@50%Ipeak@277V						
	LEAKAGE CURRENT	<0.50mA						

# DIMMABLE LED TRIAC DRIVER (5 IN 1 DIMMING) WATTAGE SELECTABLE - FOR MAGNILUMEN PLUS

## 60W Constant Current Driver with DIP Switch



- **WATTAGE:** 60W
- **INPUT VOLTAGE:** 100-277VAC
- **PF:** >0.95
- **IP:** IP20 with DIP Switch
- **RATED:** UL
- **DIMENSION:** 7.58" x 2.44" x .94"
- **PART NUMBER:** ZL-DRIVER-60W-TRIAC

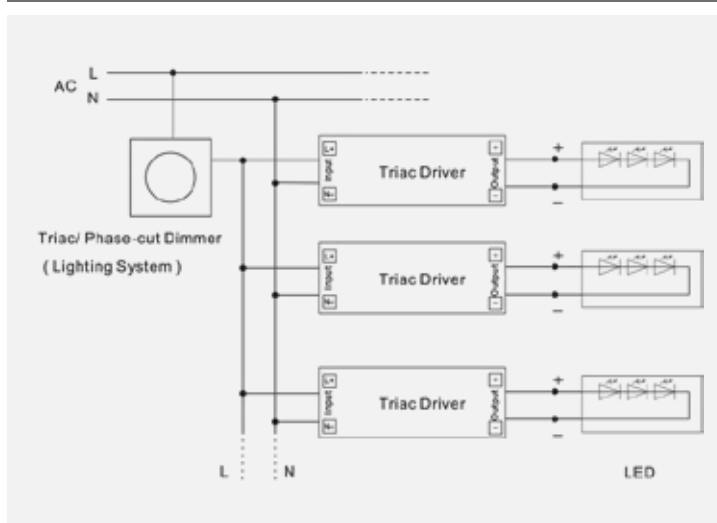
### SPECIFICATIONS

Output	MAX. OUTPUT POWER	39W	45.5W	52W	58.5W	60W	59.4W	60W	59.8W	60.2W	60W	60.8W	59.5W
	OUTPUT VOLTAGE (DC)	3-65V	3-65V	3-65V	3-65V	3-65V	3-65V	3-65V	3-62V	3-57V	3-50V	3-45V	3-40V
	MAX. OUTPUT CURRENT (DC)	600mA	700mA	800mA	900mA	1000mA	1100mA	1200mA	1300mA	1400mA	1500mA	1600mA	1700mA
	DIP SWITCH (OFF ↓ / ON ↑)	↓↓↓↓	↑↓↓↓	↓↑↓↓	↑↑↓↓	↓↓↑↓	↑↓↑↓	↓↑↑↓	↑↑↑↓	↓↓↓↑	↑↓↑↑	↓↑↓↑	↑↑↓↑

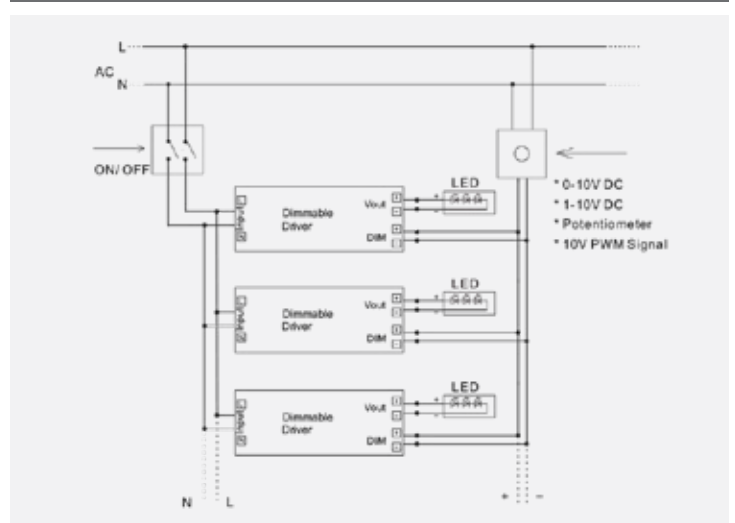
Input	INPUT VOLTAGE	100-277VAC	Protection	SHORT CIRCUIT	Constant connect mode, recovers automatically after faulty condition is removed	Environment	WORKING TEMP.	-40 - 140F	
	RATED FREQUENCY	47-63HZ					PROTECTION CLASS	II	WORKING HUMIDITY
	POWER FACTOR	120VAC: 0.99; 277VAC: 0.96						VIBRATION	10-500HZ
	EFFICIENCY	120VAC: 83%							
	AC CURRENT MAX.	0.78A							
	INRUSH CURRENT	10A/90us@50%Ipeak@120V 24A/80 us@50%Ipeak@277V							
LEAKAGE CURRENT	<0.50mA								

### DIMMING OPERATION AND CONNECTING DIAGRAM

#### Using one dimming - TRIAC/Phase cut dimming



#### Using one dimming - 0-10V/1-10V dimming



# DIMMABLE LED TRIAC DRIVER (5 IN 1 DIMMING) WATTAGE SELECTABLE - FOR MAGNILUMEN PLUS

## DERATING CURVE

