



# MAGNIBLEND REFRIGERATION

MAGNILUMEN PLUS<sup>+</sup>

by **Z** ZLED<sup>™</sup>  
LIGHTING  
ZLEDLIGHTING.COM



Bright and energy-efficient LED refrigerated case lighting can **significantly enhance product visibility and appeal.**

By illuminating fresh produce, meats, seafoods, and prepared foods with vibrant, true color light, this not only **creates an inviting atmosphere but also improves the shopping experience for customers.** Plus, with the added benefit of energy efficiency, it can **reduce operational costs while maintaining optimal visually appealing display conditions.** It's a smart investment for any commercial refrigeration space!



MagniBlend Refrigeration LED Lighting not only Improves a shopping experience it creates **consistent uniformity, minimal glare and eliminates dark spots.** Shopping Markets and retailers benefit with **eco-friendly, lower maintenance, and costs due to lower power consumption.** MagniBlend LED Lighting solutions are designed to **help retailers and shopping markets easily switch cases from older forms of lighting technology to MagniBlend Refrigeration LED.**

**Meat / Produce / General / Bakery** 30/50K-90 CRI Creates a 40K Lighting Environment

MRK-LED-BAR-45"-30/50K-PLUS-BLEND-CRI90-PT-WP-R-FR-HH

Magnilumen Plus LED Bar, 45"  
30K/50K, Blend, CRI90, Refrigerated Case

MRK-LED-BAR-33"-30/50K-PLUS-BLEND-CRI90-PT-WP-R-FR-HH

Magnilumen Plus LED Bar, 33"  
30K/50K, Blend, CRI90, Refrigerated Case

MRK-LED-BAR-22"-30/50K-PLUS-BLEND-CRI90-PT-WP-R-FR-HH

Magnilumen Plus LED Bar, 22"  
30K/50K, Blend, CRI90, Refrigerated Case



**Cheese / Poultry** 30/40K-90 CRI Creates a 35K Lighting Environment

MRK-LED-BAR-45"-30K/40K-PLUS-BLEND-CRI90-PT-WP-R-FR-HH

Magnilumen Plus LED Bar, 45"  
30K/40K, Blend, CRI90, Refrigerated Case

MRK-LED-BAR-33"-30K/40K-PLUS-BLEND-CRI90-PT-WP-R-FR-HH

Magnilumen Plus LED Bar, 33"  
30K/40K, Blend, CRI90, Refrigerated Case

MRK-LED-BAR-22"-30K/40K-PLUS-BLEND-CRI90-PT-WP-R-FR-HH

Magnilumen Plus LED Bar, 22"  
30K/40K, Blend, CRI90, Refrigerated Case



## Olive Bar

30/40K-90 CRI Creates a 35K Lighting Environment

MRK-LED-BAR-47-7/8"-30K/40K-PLUS-BLEND-CRI90-PT-WP-CV-CL-HH

Magnilumen Plus LED Bar, 47 7/8", 30K/40K, Blend, CRI90, Refrigerated Case or Bar

MRK-LED-BAR-35-7/8"-30K/40K-PLUS-BLEND-CRI90-PT-WP-CV-CL-HH

Magnilumen Plus LED Bar, 35 7/8", 30K/40K, Blend, CRI90, Refrigerated Case or Bar

MRK-LED-BAR-23-7/8"-30K/40K-PLUS-BLEND-CRI90-PT-WP-CV-CL-HH

Magnilumen Plus LED Bar, 23 7/8", 30K/40K, Blend, CRI90, Refrigerated Case or Bar

MRK-LED-BAR-11-7/8"-30/40K-PLUS-BLEND-CRI90-PT-WP-CV-CL-HH

Magnilumen Plus LED Bar, 11-7/8", 30K/40K, Blend, CRI90, Refrigerated Case or Bar



## Hot and Cold Bar

30/50K-90 CRI Creates a 40K Lighting Environment

MRK-LED-BAR-47-7/8"-30K/50K-PLUS-BLEND-CRI90-PT-WP-CV-CL-HH

Magnilumen Plus LED Bar, 47 7/8", 30K/50K, Blend, CRI90, Refrigerated Bar

MRK-LED-BAR-35-7/8"-30K/50K-PLUS-BLEND-CRI90-PT-WP-CV-CL-HH

Magnilumen Plus LED Bar, 35 7/8", 30K/50K, Blend, CRI90, Refrigerated Bar

MRK-LED-BAR-23-7/8"-30K/50K-PLUS-BLEND-CRI90-PT-WP-CV-CL-HH

Magnilumen Plus LED Bar, 23 7/8", 30K/50K, Blend, CRI90, Refrigerated Bar

MRK-LED-BAR-11-7/8"-30/50K-PLUS-BLEND-CRI90-PT-WP-CV-CL-HH

Magnilumen Plus LED Bar, 11-7/8", 30K/50K, Blend, CRI90, Refrigerated Bar



## Door Refrigeration

30/50K-90 CRI Creates a 40K Lighting Environment

MRK-LED-BAR-KT-70"-30K/50K-PLUS-BLEND-CRI90-PT-WP-CV-CL-HH

Magnilumen Plus LED Bar, 70", 30K/50K, Blend, CRI90, Refrigerated Glass Doors

MRK-LED-BAR-KT-58"-30K/50K-PLUS-BLEND-CRI90-PT-WP-CV-CL-HH

Magnilumen Plus LED Bar, 58", 30K/50K, Blend, CRI90, Refrigerated Glass Doors



# MAGNIBLEND REFRIGERATION

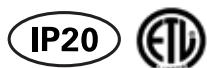
MAGNILUMEN PLUS<sup>™</sup>

## LED Magnetic Retrofit Kits



LED bars have either 30K/40K or 30K/50K chips installed in every other color temperature pattern.

|                           |   |
|---------------------------|---|
| <b>WATTAGE</b>            | Wattage selectable drivers  |
| <b>COLOR TEMPS</b>        | 30K/40K and 30K/50K   |
| <b>EFFICACY</b>           | 125 lm/W with Frosted Lens<br>150 lm/W with Clear Lens<br>160 lm/W with No Lens |
| <b>VOLTAGE INPUT</b>      | 100-277VAC  |
| <b>DRIVER OUT VOLTAGE</b> | 27-42VDC  |
| <b>CRI</b>                | 90+   |
| <b>DIMMING</b>            | 0-10VDC, (optional: TRIAC)  |
| <b>AMBIENT TEMP</b>       | -20 to 50C; -40 to 122F   |
| <b>SURGE PROTECTION</b>   | 2KV   |
| <b>LED CHIPS</b>          | Conformal coating applied   |
| <b>RATED</b>              | IP20 for damp location  |
| <b>WARRANTY</b>           | 7 years Magnilumen <sup>™</sup> Standard  |
| <b>LED LIFESPAN (L70)</b> | 100,000 hours   |
| <b>FLICKER</b>            | Meets Title 24 Flicker Requirements   |
| <b>LISTED</b>             | ETL   |



Recognizing that 3000K can be too warm and 4000K too cold, ZLEDLighting has developed the new MagniBlend bar. This innovative solution combines high 90 CRI with various Kelvin temperature LED chips, allowing for a wider color palette in standard 3500K or 4000K environments.

### EASY TO INSTALL:

Pre-installed onboard magnets on both bars and driver. Slide out mounting brackets on bars, pre drilled holes on driver for easy screw mount installation. (Self drilling screws included).



Hot and Cold LED Bars include Mounting Clips for Installation.

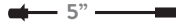


High CRI color mixing (Kelvin) is essential for ensuring that people, products, and environments appear “true to color” in settings such as refrigeration units, hot and cold self-serve food bars, and refrigerated displays/doors. This benefits shoppers by providing clear, vibrant visuals of food presentation. The ZLEDLighting, Magnilumen Plus, MagniBlend High Humidity line features LED retrofit bars with a high 90 CRI Kelvin blend, designed to meet the demand for optimal color temperatures in these environments.

## Accessories

### Harnesses with Male and Female waterproof end connections

**PART NUMBER: HARNESS-5IN-JUMP-HH**  
5 in Waterproof Harness for Refrigerated Case



**PART NUMBER: HARNESS-8IN-JUMP-HH**  
8 in Waterproof Harness for Refrigerated Case



**PART NUMBER: HARNESS-12IN-JUMP-HH**  
12 in Waterproof Harness for Refrigerated Case



**PART NUMBER: HARNESS-24IN-JUMP-HH**  
24 in Waterproof Harness for Refrigerated Case



**PART NUMBER: HARNESS-36IN-JUMP-HH**  
38 in Waterproof Harness for Refrigerated Case



**PART NUMBER: HARNESS-8FT-JUMP-HH**  
8 ft Waterproof Harness for Refrigerated Case



**PART NUMBER: HARNESS-12FT-JUMP-HH**  
12 ft Waterproof Harness for Refrigerated Case



**PART NUMBER: HARNESS-16FT-JUMP-HH**  
16 ft Waterproof Harness for Refrigerated Case



### Leads to LED Bars



End Cap



Clear Lens



Frosted Lens

Reach in Refrigeration/ Doors

| Part Number                 | Description                                   |
|-----------------------------|---|
| 6"-Driver-Bridge-Harness-HH | 6 inch Waterproof Driver Bridge Harness ①     |
| B&W-LEAD-TO-WP-TAIL-HH      | B&W Lead 6 inch to WP Tail ②                  |
| HARNESS-2-WAY-3FT-HH        | MRK Harness 2-Way, 3ft each leg High Humidity |
| ZL-MRK-ENDCAP-BAR-HH        | End of run endcap for conformal bar           |
| 2FT-Clear-Lens-22-HH        | 2FT-Clear-Lens for 22" HH LED MC-PCBA's       |
| 4FT-Clear-Lens-45-HH        | 4FT-Clear-Lens for 45" HH LED MC-PCBA's       |
| 2FT-Frosted-Lens-23 7/8"-HH | 2FT-Frosted-Lens for 23 7/8" HH LED MC-PCBA's |
| 3FT-Frosted-Lens-35 7/8"-HH | 3FT-Frosted-Lens for 35 7/8" HH LED MC-PCBA's |
| 4FT-Frosted-Lens-47 7/8"-HH | 4FT-Frosted-Lens for 47 7/8" HH LED MC-PCBA's |

## Optional Mounting Hardware - Magnets and Clips for Directional Use

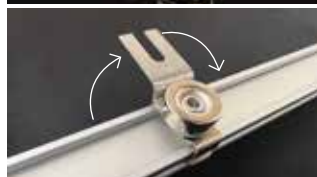
### 45 Degree Angle Magnet for Doors/Shelves

PART NUMBER: MAG-NO-HOOK-45DEG-HH



### Magnet with Hook

PART NUMBER: MAG-HOOK-HH



### Magnet with Hook (adjustable 0-180 degrees)

PART NUMBER: MAG-HOOK-ADJUSTABLE-HH

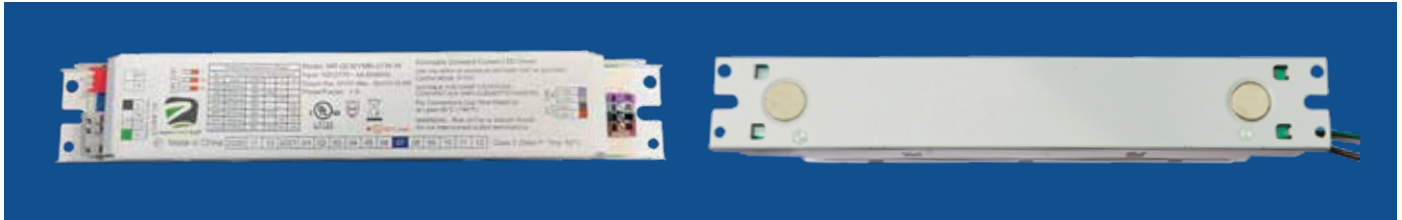


### Bar Clip

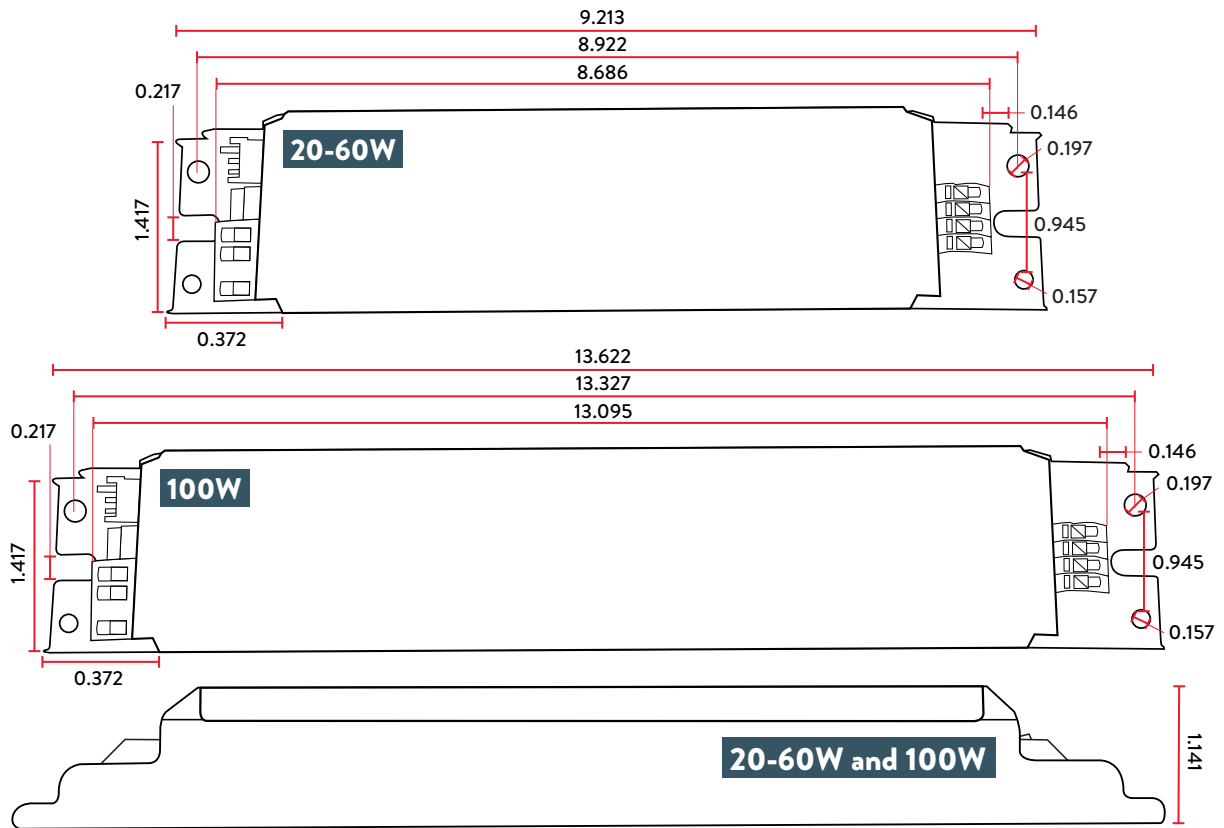
PART NUMBER: SH1-HCB-CLIP-HH



## Drivers



| MODEL NUMBER             | DEFAULT WATTAGE | INPUT VOLTAGE | POWER FACTOR | EFFICIENCY | THD  | OUTPUT VOLTAGE |
|--------------------------|-----------------|---------------|--------------|------------|------|----------------|
| MRK-DRIVER-20W-2H-PLUS   | 20W             | 100-277VAC    | ≥0.9         | ≥88%       | ≤10% | 27-42VDC       |
| MRK-DRIVER-30W-2H-PLUS   | 30W             | 100-277VAC    | ≥0.9         | ≥88%       | ≤10% | 27-42VDC       |
| MRK-DRIVER-40W-2H-PLUS   | 40W             | 100-277VAC    | ≥0.9         | ≥88%       | ≤10% | 27-42VDC       |
| MRK-DRIVER-50W-2H-PLUS   | 50W             | 100-277VAC    | ≥0.9         | ≥88%       | ≤10% | 27-42VDC       |
| MRK-DRIVER-60W-2H-PLUS   | 60W             | 100-277VAC    | ≥0.9         | ≥88%       | ≤10% | 27-42VDC       |
| MRK-DRIVER-100W-4WH-PLUS | 100W            | 100-277VAC    | ≥0.9         | ≥88%       | ≤10% | 27-42VDC       |



## Enclosures for Drivers



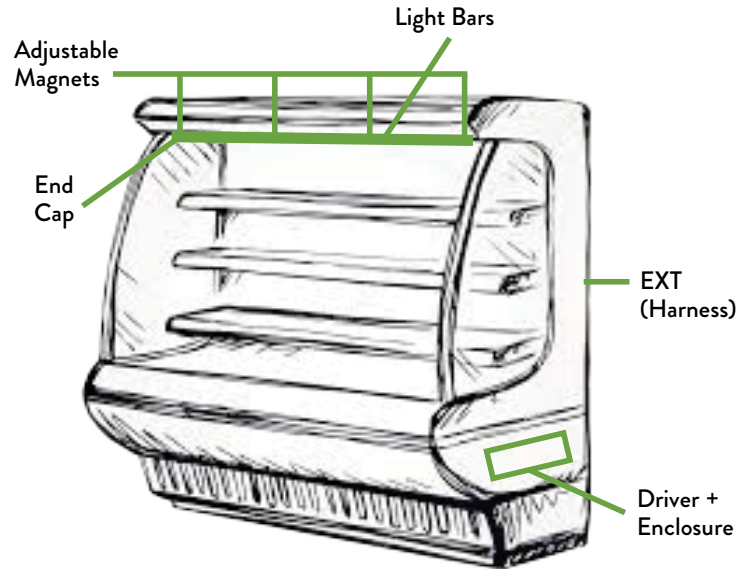
### 100W DRIVER ENCLOSURE (with two knockouts)

PN: MRK-100W-DRIVER-ENCLOSURE  
 DIMENSIONS: 16" (L) x 1.75" (W) x 1.3125" (D)

### 20-60W DRIVER ENCLOSURE (with two knockouts)

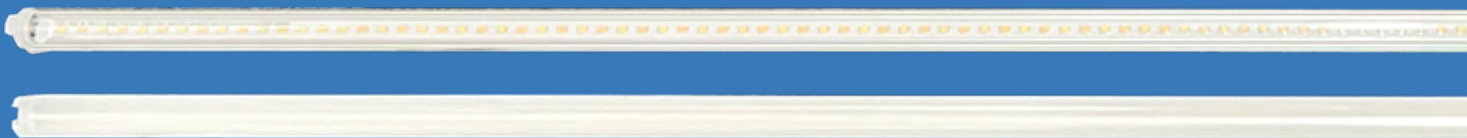
PN: MRK-20/60W-DRIVER-ENCLOSURE  
 DIMENSIONS: 12" (L) x 1.75" (W) x 1.3125" (D)

Creating a Bill of Materials (BOM) for a Magnilumen refrigeration lighting retrofit system involves listing all necessary components and materials required for installation. Start by identifying the specific Magnilumen LED lighting model suitable for the refrigeration unit, including wattage, voltage, and dimensions. Include the number of LED fixtures needed, along with power supplies, wiring, connectors, mounting hardware, and any necessary control devices such as dimmers or motion sensors. Review any additional materials like brackets, adhesive tapes, or protective covers, ensuring compatibility with the existing refrigeration system. Document part numbers, quantities, and supplier details for each item to streamline procurement.



## Example Bill of Material

| Part Number  | Description   | Qty |
|--|---|-----|
| MRK-LED-BAR-33"-30K/40K-PLUS-BLEND-CRI90-PT-WP-R-FR-HH | Magnilumen Plus LED Bar, 33" 30K/40K, Blend, CRI90, Refrigerated Case | 2   |
| HARNESS-12FT-JUMP-HH                                   | 12ft Waterproof Harness for Refrigerated Case                         | 1   |
| MRK-20/60W-DRIVER-ENCLOSURE                            | Metal Driver Enclosure for 20/60W Mag Plus Driver with Grommet        | 1   |
| MRK-DRIVER-40W-2H-PLUS                                 | Magnilumen Plus, Driver, 40W DFW, Wattage Selectable                  | 1   |
| ZL-MRK-ENDCAP-BAR-HH                                   | End of run endcap for refrigeration Bars (Included)                   | 1   |



20-B Roland Avenue, Mount Laurel, NJ 08054

[www.zledlighting.com](http://www.zledlighting.com) | 800-679-9243 | [sales@zledlighting.com](mailto:sales@zledlighting.com)